

Grout adjusting rings inside, outside and between. Grout under casting.

Manhole Frame and Cover per the Standard Detail. Locate as shown on plan.

Minimum requirement for adjustment shall be (2) - 4" rings.

Eccentric cone.

1' section below cone is required.

Confined O-ring rubber gasket joints and butyl sealant strips (typ.)

varies - 8' min. (typ.)

Copolymer Polypropylene Plastic Steps & Ladder per the Standard Detail. Locate as shown on plan view below.

Provide grout at knock-out. Provide sand collar for PVC pipe.

Poured in place Class 4000 cement concrete base.

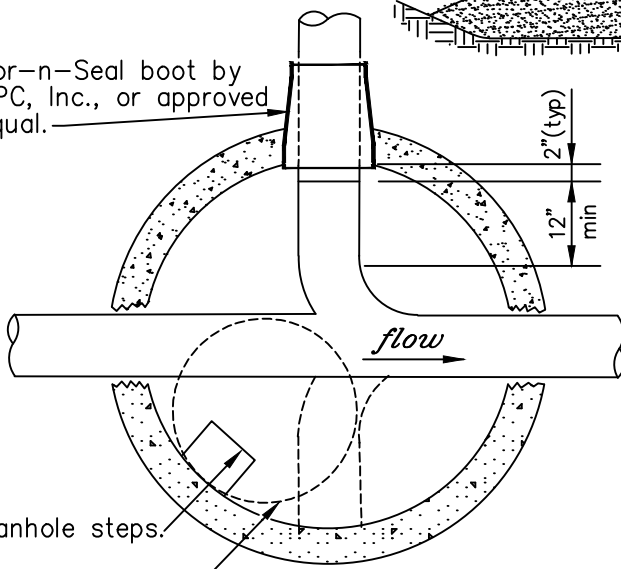
Kor-n-Seal boot by NPC, Inc., or approved equal.

ELEVATION

Pea gravel bedding per the Specifications.
Foundation gravel per the Specifications, if required.

Notes:

1. Marker posts may be required in easements.



PLAN

SADDLE MANHOLE

NOT TO SCALE

Detail Approvals
 Engineer GSM
 Manager DPK

**NORTHSHORE UTILITY DISTRICT
 STANDARD SEWER DETAILS**

2