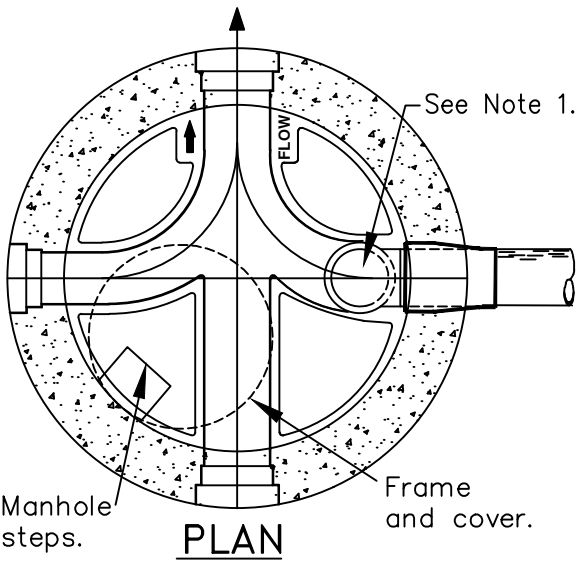


**ELEVATION**

Notes:

1. Fiberglass channel receiving the inside drop flow shall be sized one pipe size larger than the incoming pipe to accommodate the 90° bend. Bend to rest flush in the channel.
2. Existing manholes without the FRP baseliner and no concrete channel to accommodate the 90° bend, shall have the bend set on top of the existing concrete bench and grouted in-place. Additional PVC pipe may be required to direct flow to flowline.
3. Minimum drop in the invert elevation through the manhole shall be 0.06'.
4. Marker posts may be required in easements.
5. The manhole baseliner shall be a Fiberglass Reinforced Plastic (F.R.P.) and/or Polypropylene (P.P.) Baseliner System per the Engineering Specifications.



**PLAN**

**INSIDE DROP MANHOLE W/ BASE LINER**

NOT TO SCALE

Detail Approvals	
Engineer	GSM
Manager	DPK

**NORTHSHORE UTILITY DISTRICT  
STANDARD SEWER DETAILS**

**4**