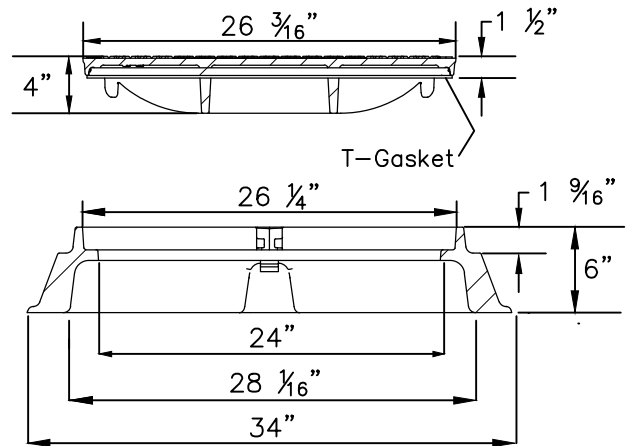
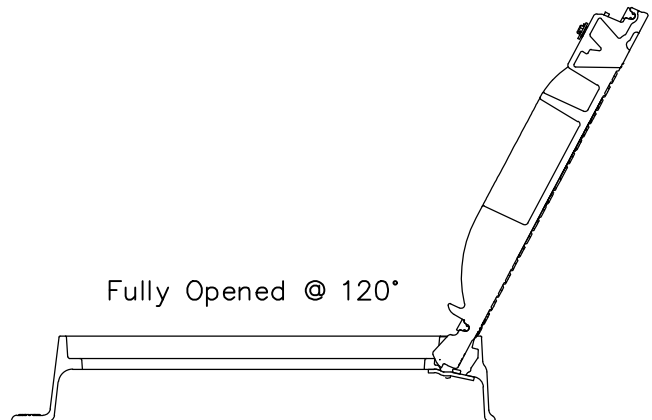
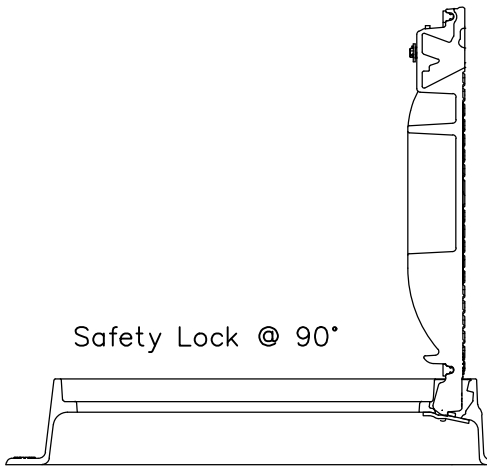


PLAN



SECTION A-A



Note:

1. Manhole frame and cover shall be East Jordan Iron Works ERGO Assembly, Part Number 001040105L01.

**MANHOLE LOCKING FRAME AND COVER**

NOT TO SCALE

Detail Approvals	
Editor	TDC
Manager	DPK

**NORTSHORE UTILITY DISTRICT  
STANDARD SEWER DETAILS**

**5**

September 2016  
S-5(MHCOVER).dwg