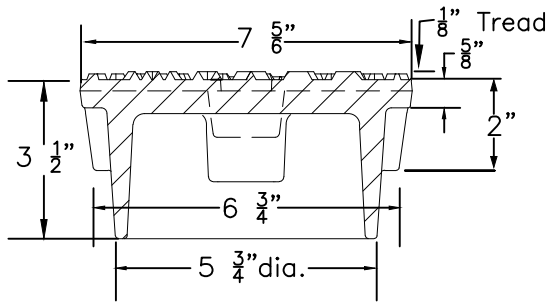
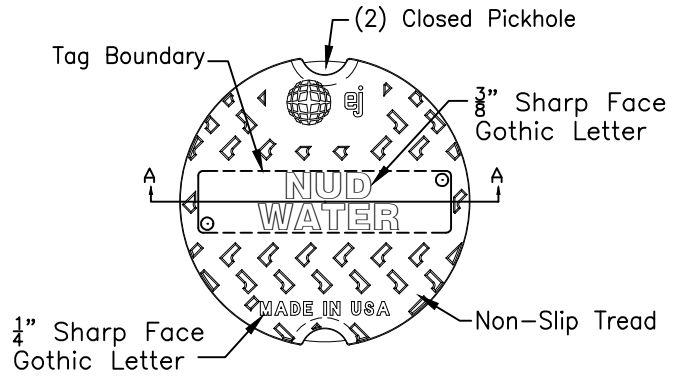


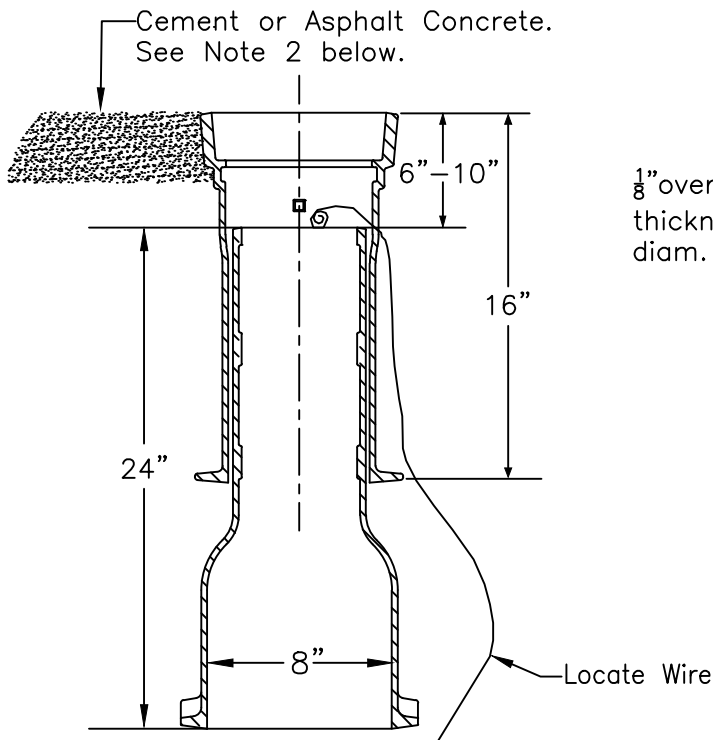
VALVE BOX COVER



SECTION A-A



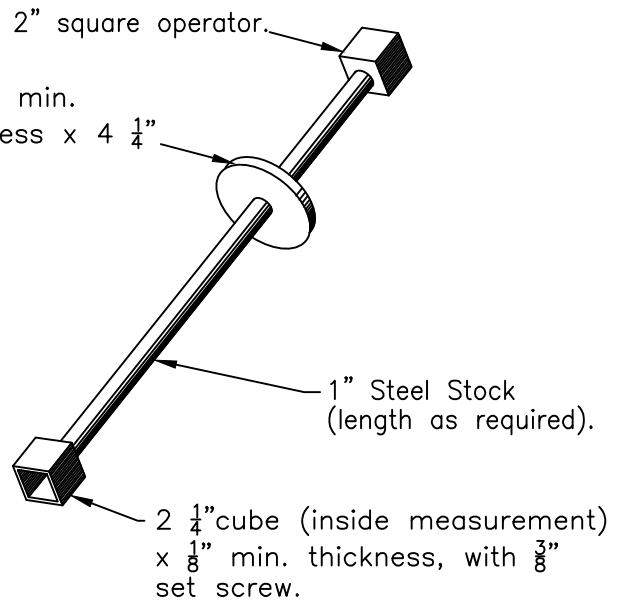
PLAN



VALVE BOX

Notes:

1. Cast-iron valve box and cover shall be East Jordan Iron Works: Valve Box Cover 06800209, Valve Box Top 85557016U, and Valve Box Bottom 85556024U.
2. If valve box is in an unpaved area, provide 1' radius x 4" minimum depth cement or asphalt concrete paving around valve box.



VALVE OPERATING NUT EXTENSION

Notes:

1. Length as required to put operating nut two (2) feet from finished grade.
2. Extensions are required when valve nut is more 4.5' below finished grade.
3. Extensions to be a minimum of one (1) foot long.
4. One (1) Extension per valve.

VALVE BOX & OPERATING NUT EXTENSION

NOT TO SCALE

Detail Approvals	
Editor	TDC
Manager	DPK

NORTHSHORE UTILITY DISTRICT
STANDARD WATER DETAILS

11

September 2016
W-11(ValveBox).dwg