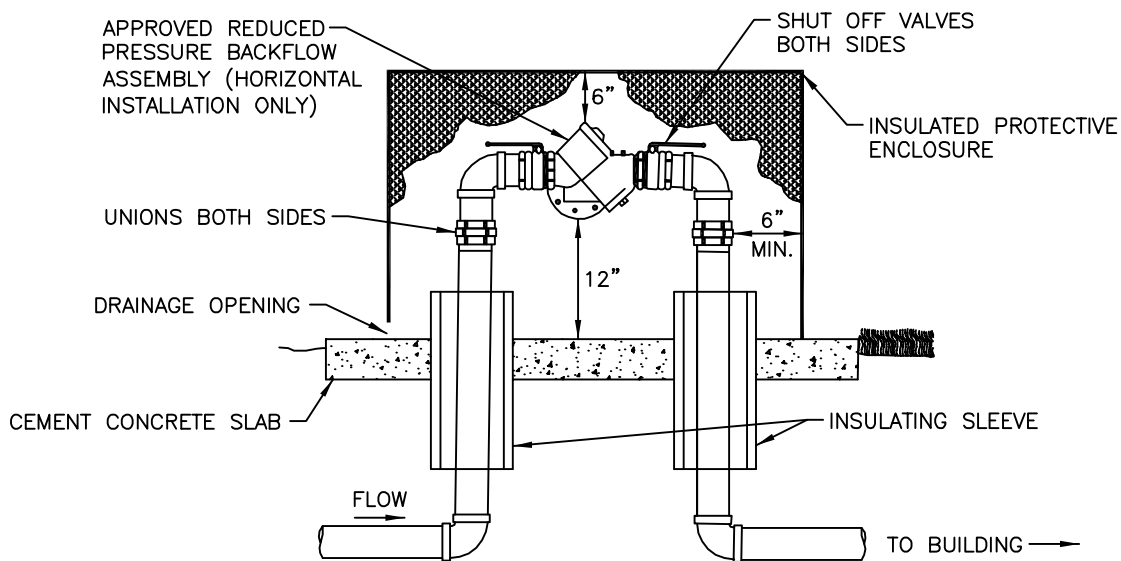


DOUBLE CHECK VALVE ASSEMBLY (SECTION)

NOT TO SCALE



REDUCED PRESSURE BACKFLOW ASSEMBLY (SECTION)

NOT TO SCALE

NOTES:

1. THE BACKFLOW ASSEMBLY SHALL BE AN APPROVED ASSEMBLY AS SHOWN ON THE WASHINGTON STATE APPROVAL LISTING.
2. BACKFLOW ASSEMBLY INSTALLATION SHALL BE IN ACCORDANCE WITH THE MANUFACTURER'S SPECIFICATIONS AND MEET THE MINIMUM STANDARDS OF THE UNIFORM PLUMBING CODE.
3. BACKFLOW ASSEMBLY SHALL BE CENTERED WITHIN THE ENCLOSURE AND PROVIDE MINIMUM HORIZONTAL AND VERTICAL CLEARANCE AS REQUIRED.
4. THE BACKFLOW ASSEMBLY SHALL BE INSTALLED IMMEDIATELY BEHIND THE WATER METER ON PRIVATE PROPERTY. INSTALLATION OF THE BACKFLOW ASSEMBLY INTERNAL TO THE BUILDING WILL NOT BE ALLOWED UNLESS APPROVED BY THE DISTRICT (SITE SPECIFIC CONDITIONS OR CONSTRAINTS WILL BE CONSIDERED FOR ALTERNATE LOCATION OF THE BACKFLOW ASSEMBLY). SEE DISTRICT SPECIFICATIONS FOR ADDITIONAL INFORMATION.

**PREMISE ISOLATION BACKFLOW ASSEMBLY
GENERAL INSTALLATION GUIDELINES**

NOT TO SCALE

Detail Approvals
 Engineer GSM
 Manager DPK

**NORTHSHORE UTILITY DISTRICT
STANDARD WATER DETAILS**

14